

Model X-C (Compression) Force Gauge

A

| Part Number | Pounds | Part Number | Kilograms | A in (mm) | B in (mm) | C in (mm) | D in (mm) | E in (mm) | F in (mm) | G in (mm) | H in (mm) | J in (mm) | J1 in (mm) | K in (mm) |
|---------------------------|------------|------------------|-----------|-----------------|----------------|----------------|----------------|----------------|----------------|----------------|---------------|--------------|---------------|----------------|
| 30386-0035 | 50 x .05 | - | - | 4.25 (107.9) | 1.00 (25.4) | 0.50 (12.7) | 2.50 (63.5) | 2.06 (52.3) | 2.00 (50.8) | 2.25 (57.1) | 0.38 (9.6) | 1/4-28 | 1/4-28 | 2.94 (74.6) |
| 30386-0043 30386-0159* | 100 x 1 | - 30386-0183* | 50 x 0.5 | 4.25 (107.9) | 1.00 (25.4) | 0.50 (12.7) | 2.50 (63.5) | 2.06 (52.3) | 2.00 (50.8) | 2.25 (57.1) | 0.38 (9.6) | 1/4-28 | 1/4-28 | 2.94 (74.6) |
| 30446-0033 30446-0090* | 250 x 2.5 | - 30446-0181* | 100 x 1 | 4.25 (107.9) | 1.00 (25.4) | 0.50 (12.7) | 2.50 (63.5) | 2.06 (52.3) | 2.00 (50.8) | 2.25 (57.1) | 0.38 (9.6) | 1/4-28 | 1/4-28 | 2.94 (74.6) |
| 30446-0017 30446-0074* | 500 x 5 | - 30446-0082* | 200 x 2 | 4.25 (107.9) | 1.00 (25.4) | 0.50 (12.7) | 2.50 (63.5) | 2.06 (52.3) | 2.00 (50.8) | 2.25 (57.1) | 0.38 (9.6) | 1/4-28 | 1/4-28 | 2.94 (74.6) |
| 30444-0019 30444-0050* | 1,000 x 10 | - 30444-0068* | 500 x 5 | 4.25 (107.9) | 1.00 (25.4) | 0.50 (12.7) | 2.50 (63.5) | 2.06 (52.3) | 2.00 (50.8) | 2.25 (57.1) | 0.38 (9.6) | 1/2-20 | 1/2-20 | 2.94 (74.6) |
| 30388-0017 30388-0058* | 2,000 x 20 | - 30388-0066* | 1000 x 10 | 4.75 (120.6) | 1.00 (25.4) | 0.50 (12.7) | 3.00 (76.1) | 2.25 (57.1) | 2.50 (63.5) | 2.75 (69.8) | 0.38 (9.6) | 1/2-20 | 1/2-20 | 3.44 (87.3) |
| 30389-0016 30389-0057* | 5,000 x 50 | - 30389-0065* | 2000 x 20 | 4.75 (120.6) | 1.00 (25.4) | 0.50 (12.7) | 3.00 (76.1) | 2.25 (57.1) | 2.50 (63.5) | 2.7 (69.8) | 0.38 (9.6) | 1/2-20 | 1/2-20 | 3.44 (87.3) |

B

| Part Number | Pounds | Part Number | Kilograms | A in (mm) | B in (mm) | C in (mm) | D in (mm) | E in (mm) | F in (mm) | G in (mm) | H in (mm) | J in (mm) | J1 in (mm) | K in (mm) |
|---------------------------|--------------|------------------|--------------|-----------------|----------------|----------------|-----------------|----------------|----------------|----------------|----------------|--------------|---------------|-----------------|
| 30423-0014 30423-0055* | 10,000 x 100 | - 30423-0063* | 5000 x 50 | 5.87 (149.0) | 1.87 (47.5) | 0.94 (23.9) | 3.94 (100.0) | 2.75 (69.8) | 3.00 (76.1) | 3.62 (91.9) | 0.75 (19.0) | 7/8-14 | 7/8-14 | 4.50 (114.2) |
| 30449-0014 30449-0055* | 25,000 x 250 | - 30449-0063* | 10,000 x 100 | 6.56 (166.5) | 2.38 (60.4) | 1.18 (29.9) | 4.68 (118.8) | 3.31 (84.0) | 3.63 (92.1) | 3.62 (91.9) | 1.00 (25.4) | 1-14 | 1 1/4-12 | 5.50 (139.6) |

Model X-ST (Tension) and Model X-PP (Push-Pull) Gauges

C

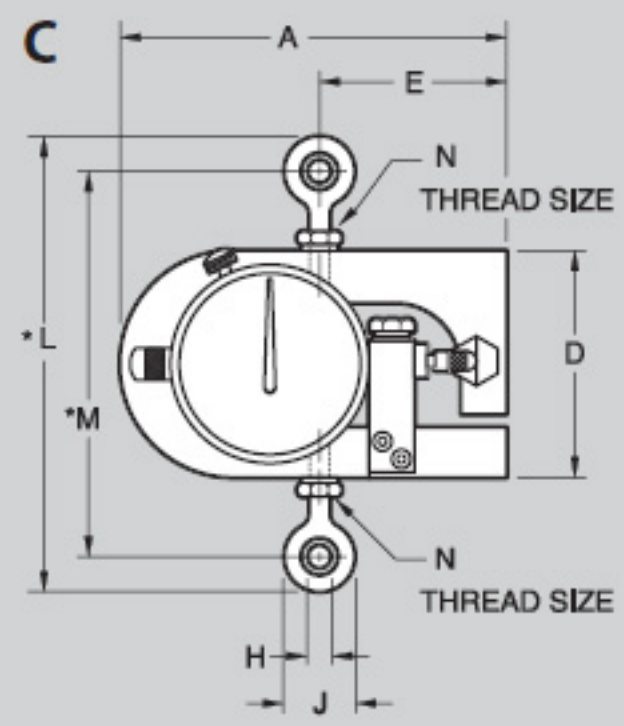
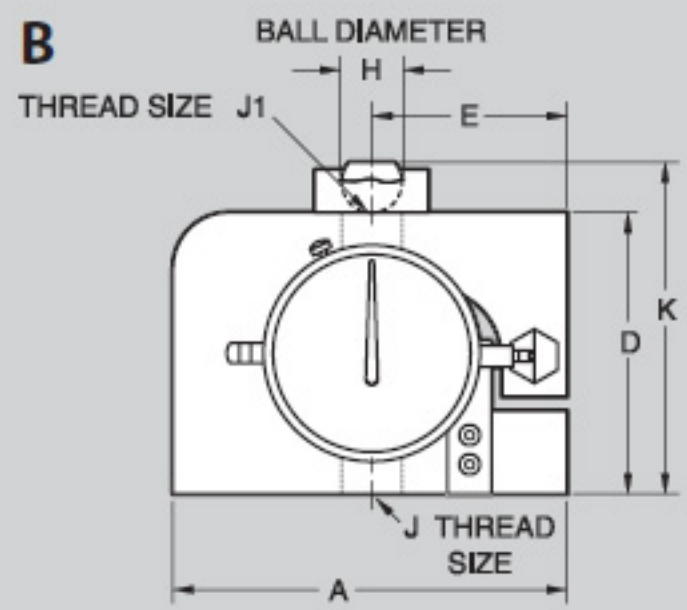
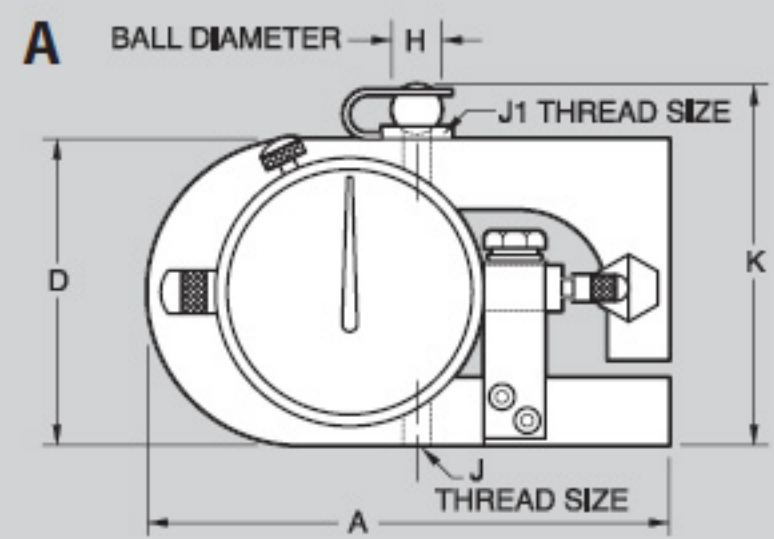
| Part Number | Tension lb | Part Number | Tension kg | Part Number | Push-Pull lb | Part Number | Push-Pull kg | A in (mm) | B in (mm) | C in (mm) | D in (mm) | E in (mm) | F in (mm) |
|---------------------------|------------|---------------------------|------------|-------------|--------------|-------------|--------------|-----------------|----------------|----------------|----------------|----------------|----------------|
| - | - | - 30443-0176* | 25 x 0.25 | - | - | - | - | 4.25 (107.9) | 1.00 (25.4) | 0.50 (12.7) | 2.50 (63.5) | 2.06 (52.3) | 2.03 (51.5) |
| 30443-0044 30443-0150* | 100 x 1 | 30443-0093 30443-0184* | 50 x 0.5 | 30795-0014 | 50-5-50 | - | - | 4.25 (107.9) | 1.00 (25.4) | 0.50 (12.7) | 2.50 (63.5) | 2.06 (52.3) | 2.03 (51.5) |
| 30445-0034 30445-0109* | 250 x 2.5 | - 30445-0182* | 100 x 1 | 30796-0013 | 125-0-125 | 30796-0021 | 50-0-50 | 4.25 (107.9) | 1.00 (25.4) | 0.50 (12.7) | 2.50 (63.5) | 2.06 (52.3) | 2.03 (51.5) |
| 30445-0018 30445-0083* | 500 x 5 | 30445-0026 30445-0091* | 200 x 2 | - | - | - | - | 4.25 (107.9) | 1.00 (25.4) | 0.50 (12.7) | 2.50 (63.5) | 2.06 (52.3) | 2.03 (51.5) |
| 30276-0012 30276-0053* | 1,000 x 10 | - 30276-0061* | 500 x 5 | 30798-0011 | 500-0-500 | 30798-0029 | 250-0-250 | 4.25 (107.9) | 1.00 (25.4) | 0.50 (12.7) | 2.50 (63.5) | 2.06 (52.3) | 2.03 (51.5) |
| 30440-0013 30440-0054* | 2,000 x 20 | - 30440-0062* | 1000 x 10 | - | - | - | - | 4.75 (120.6) | 1.00 (25.4) | 0.50 (12.7) | 3.00 (76.1) | 2.25 (57.1) | 2.19 (55.6) |

D

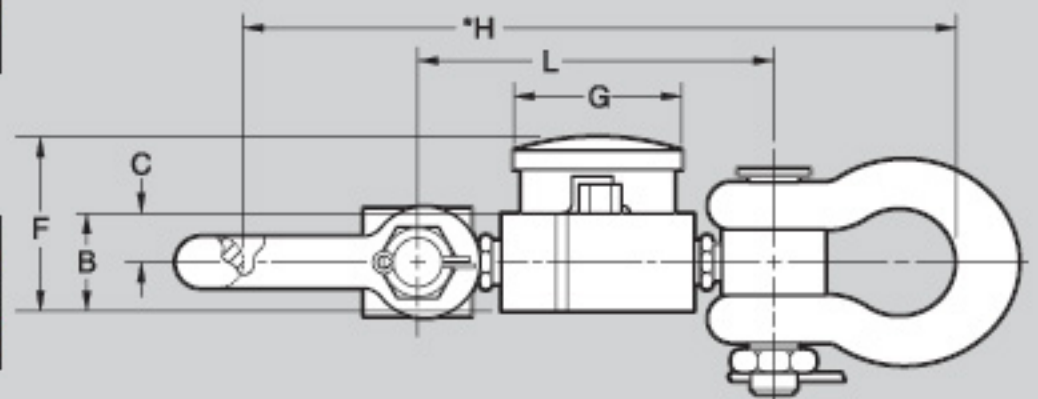
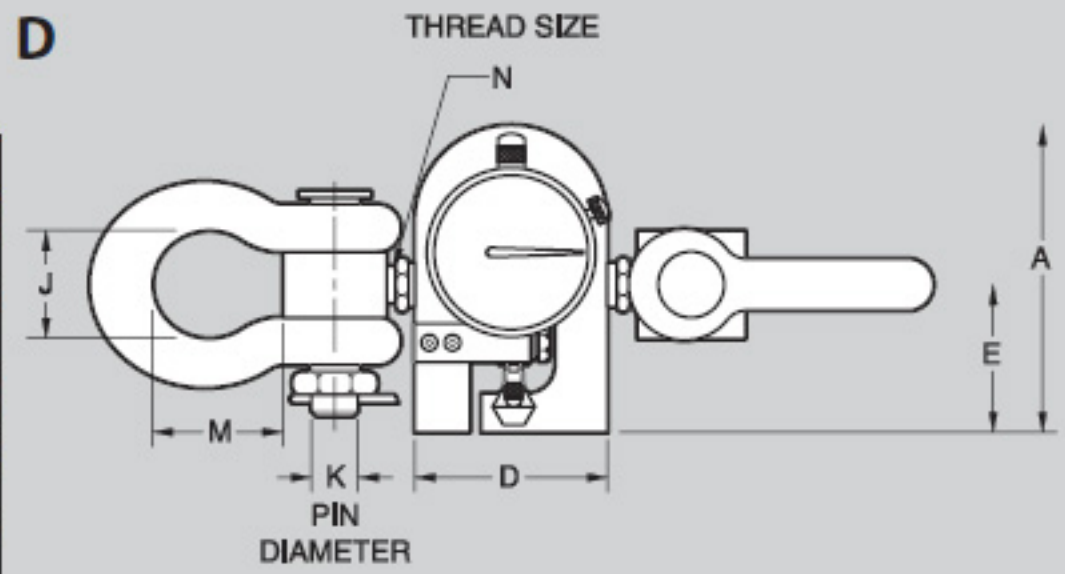
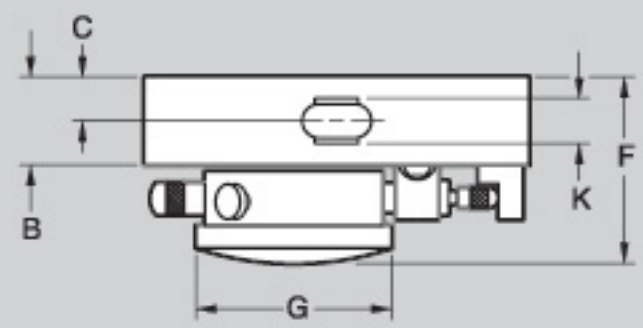
| | | | | | | | | | | | | | |
|------------------|--------------|------------------|-----------|------------|---------------|------------|-------------|-----------------|----------------|----------------|-----------------|----------------|----------------|
| - 30442-0052* | 5,000 x 50 | - | 2000 x 20 | 30800-0017 | 2,500-0-2,500 | 30800-0025 | 1000-0-1000 | 4.75 (120.6) | 1.50 (36.1) | 0.75 (19.0) | 3.00 (76.1) | 2.25 (57.1) | 2.66 (67.5) |
| - 30441-0053* | 10,000 x 100 | - 30441-0061* | 5000 x 50 | - | - | - | - | 5.88 (149.2) | 1.88 (47.7) | 0.94 (23.9) | 3.94 (100.0) | 2.75 (69.8) | 3.00 (76.1) |

*Max hand

Mechanical X Force Gauge



Top View of Drawings A,B,C



| G | H | J | K | L | M | N |
|----------------|----------------|----------------|----------------|---------|-----------------|---------|
| In (mm) | In (mm) | In (mm) | In (mm) | In (mm) | In (mm) | In (mm) |
| 2.25 (57.1) | 0.25 (6.3) | 0.75 (19.0) | 0.38 (9.6) | 5.00 | 4.25 (107.9) | 1/4-28 |
| 2.25 (57.1) | 0.25 (6.3) | 0.75 (19.0) | 0.38 (9.6) | 5.00 | 4.25 (107.9) | 1/4-28 |
| 2.25 (57.1) | 0.25 (6.3) | 0.75 (19.0) | 0.38 (9.6) | 5.00 | 4.25 (107.9) | 1/4-28 |
| 2.25 (57.1) | 0.25 (6.3) | 0.75 (19.0) | 0.38 (9.6) | 5.00 | 4.25 (107.9) | 1/4-28 |
| 2.25 (57.1) | 0.50 (12.7) | 1.31 (33.2) | 0.62 (15.7) | 6.94 | 5.62 (155.3) | 1/2-20 |
| 2.75 (69.8) | 0.50 (12.7) | 1.31 (33.2) | 0.62 (15.7) | 7.44 | 6.12 (155.3) | 1/2-20 |

| | | | | | | |
|----------------|------------------|----------------|----------------|------|-----------------|---------|
| 2.75 (69.8) | 10.94 (277.7) | 1.69 (42.9) | 0.75 (19.0) | 5.44 | 1.94 (138.1) | 1/2-20 |
| 3.62 (91.9) | 12.69 (322.1) | 1.69 (42.9) | 0.75 (19.0) | 7.19 | 1.94 (182.5) | 7/8-1/4 |